



300 ICW 4

Product Data Sheet

Magnets for mounting magnetic grilles with anti-vibration pads.

Handles to attach the speaker to the mounting frame without tools.

1" (25 mm) Al/Mg inverted dome tweeter with Poron suspension. Smoother sound.

4" (10cm) Flax midbass. Flax Membrane: neutrality and sound definition.

Product rear protection against dust.

Easy Quick Install system. No tools required. System compatible with wall/ceiling from 0^{3/16}" to 1^{3/16}" (5 to 30mm).



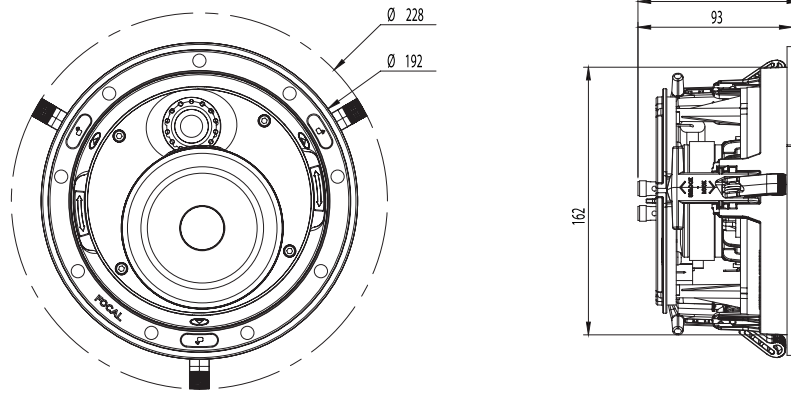
Key points

- Ultra compact 2-way speaker for custom install
- No tools required to install the product
- Loudspeaker developed and manufactured in France by Focal
- Delivered with square and circular front grilles and painting protective mask
- Excellent size-performance ratio

Technical specifications

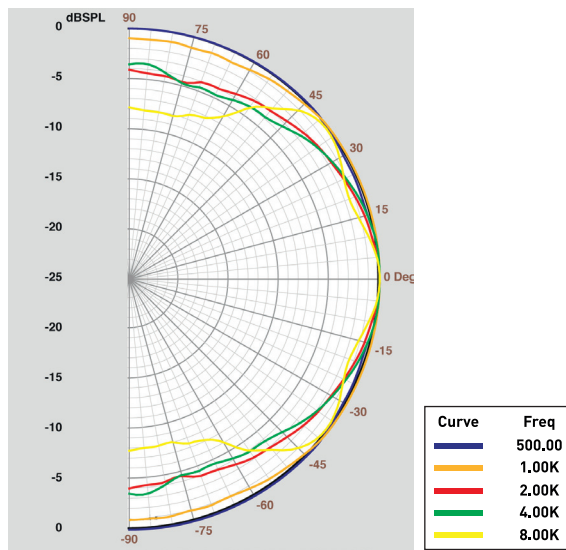
Type	2-Way
Drivers	4" (10cm) Flax Mid-bass 1" (25mm) Al/Mg inverted dome Tweeter
Sensitivity (2.83 V/1m)	88dB
Frequency response (+/-3dB)	80Hz - 28kHz
Low frequency point (-6dB)	72Hz
Nominal impedance	8 Ohms
Minimal impedance	4.5 Ohms
Recommended amplifier power	25 - 100W
Dimensions (Ø/Depth)	7 ^{9/16} x 3 ^{55/64} " (192x98mm)
Cut-Out diameter	6 ^{27/64} " (163mm)
Depth behind surface	3 ^{21/32} " (93mm)
Net weight (with grille)	2.6 lbs (1.3kg)
Box dimensions (WxDxH)	10 ^{15/64} x 10 ^{15/64} x 9 ^{27/32} " (260x260x250mm)
Total weight in box	5.07 lbs (2.3kg)

Dimensions

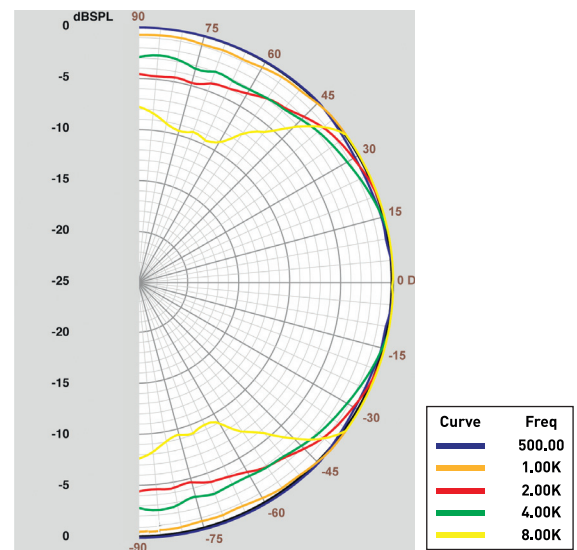


Measurements

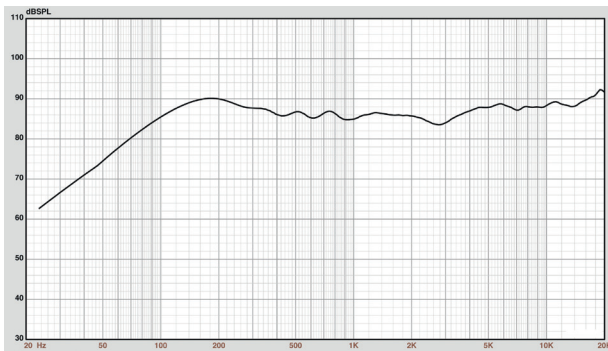
Horizontal directivity



Vertical directivity



Frequency response



ICW4 speaker level calculation table

Power/Distance	1m	2m	5m
1 W [2.83V]	88dB	82dB	74dB
5 W [6.32V]	95dB	89dB	81dB
10 W [8.94V]	98dB	92dB	84dB
20 W [12.6V]	101dB	95dB	87dB

Summary	125Hz	250Hz	500Hz	1kHz	2kHz	4kHz	8kHz
SPL [2.83V/1m][dB]	86	88	86	86	86	87	89
Opening angle at -6dB	180°	180°	180°	180°	180°	180°	120°